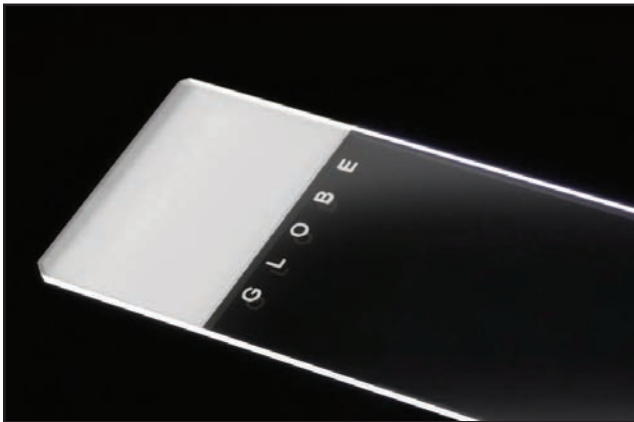


## Microscope Slides, Ground Edges, Safety Corners

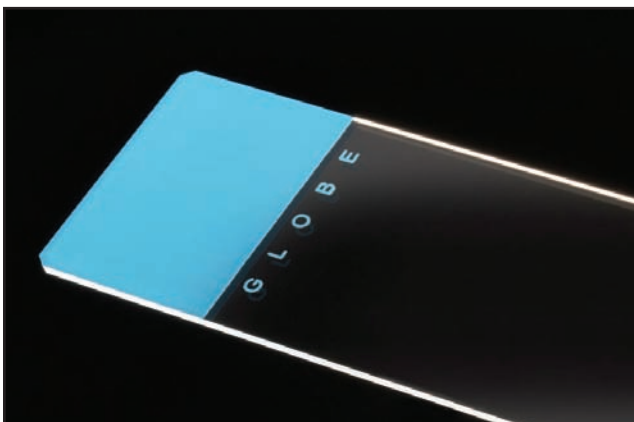
Item# 1321 / 1324 / 1328 / 1324A, 1324B, 1324D, 1324G, 1324L, 1324N, 1324P, 1324T, 1324W, 1324Y



1321 - Plain slide



1324 - Frosted slide



1324B - Blue color coded slide

### Description

Globe Scientific's classic microscope slides are produced from the highest quality soda lime glass and are ideal for use in all routine applications. These ground edge slides with safety corners provide slightly clipped corners for comfortable handling and to prevent the risk of finger and hand cuts. The slides provide excellent quality while offering substantial savings. They are available in plain, frosted and color coded varieties.

### Features

- Highest quality soda lime glass
- All slides are pre-cleaned and ready to use
- Available plain, frosted and color coded
- Clipped corners, ground edges
- Dimensions: 25mm x 75mm (±0.5mm)
- Thickness: 1.1mm (±0.05mm)

### Packaging:

- 72/box,  
20 boxes/case  
(10 gross)



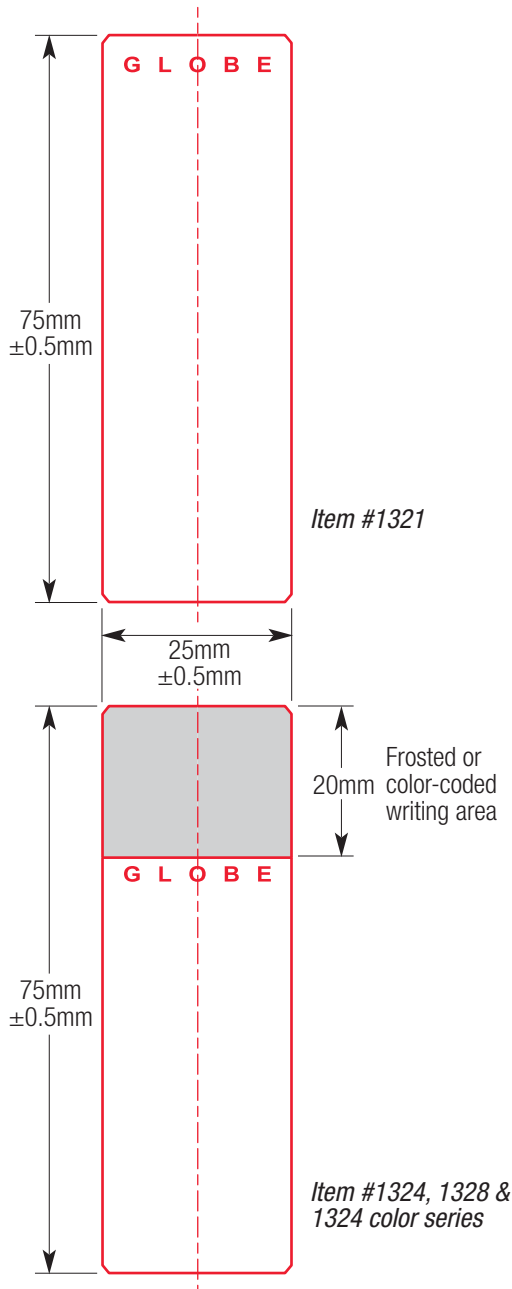
### Products

Item#	Description	Unit
1321	Plain	1440
1324	Frosted 1 end, 1 side	1440
1328	Frosted 1 end, 2 sides	1440
1324A	Frosted, aqua <span style="color: #00A08A;">●</span>	1440
1324B	Frosted, blue <span style="color: #0070C0;">●</span>	1440
1324D	Frosted, gold <span style="color: #FFC000;">●</span>	1440
1324G	Frosted, green <span style="color: #90EE90;">●</span>	1440
1324L	Frosted, lilac <span style="color: #9370DB;">●</span>	1440
1324N	Frosted, orange <span style="color: #FF8C00;">●</span>	1440
1324P	Frosted, pink <span style="color: #FF69B4;">●</span>	1440
1324T	Frosted, tan <span style="color: #D2B48C;">●</span>	1440
1324W	Frosted, white <span style="color: #FFFFFF;">○</span>	1440
1324Y	Frosted, yellow <span style="color: #FFD700;">●</span>	1440

Continued . . .

## Microscope Slides, Ground Edges, Safety Corners

Item# 1321 / 1324 / 1328 / 1324A, 1324B, 1324D, 1324G, 1324L, 1324N, 1324P, 1324T, 1324W, 1324Y



### Technical Specifications

#### Dimensions:

Width: 25mm (±0.5mm)

Length: 75mm (±0.5mm)

Thickness: 1.1mm (±0.05mm)

#### Chemical Composition: Substance by Weight(%)

Silicon Dioxide, SiO<sub>2</sub>: 70~73

Alkaline Oxide, R<sub>2</sub>O: 13~15

Calcium Oxide, CaO: 7~12

Magnesium Oxide, MgO: 1.0~4.5

Aluminum Oxide, Al<sub>2</sub>O<sub>3</sub>: 1.0~2.0

Ferric Oxide, Fe<sub>2</sub>O<sub>3</sub>: 0.08~0.14

#### Physical and Chemical Properties:

Thermal Coefficient of Expansion: (20°C~350°C) 90×10<sup>-7</sup>/°C

Softening Point: 730.0°C

Annealing Range: 540°C

Strain Point: 500°C

Specific Heat Capacity: 0.18cal/g°C

Thermal Conductivity: 0.65kcal/mh°C

Density: 2.5 g/cm<sup>3</sup>

Moh's Hardness: 6.5

Transmittance (400-700nm): 90%

Refractive Index: 1.52

Reflectivity: 4%

#### Stability and Reactivity:

Stability: Stable

Hydrolytic Resistance: Hydrolytic Class-HGB3 (ISO 719 or GB/T 6582)

Acid Resistance: Acid Class-H2 (DIN 12 116 or GB/T 15728)

Alkali Resistance: Alkali Class-A2 (DIN ISO 695 or GB/T 6580)

Hazardous Decomposition: Stable

Materials to Avoid: Strong Hot Alkali Solutions (Hydrofluoric, Fluosilicic and Phosphoric)



#### Customer service, sales and technical support:

Phone 1 (800) 394-4562 • 1 (201) 599-1400

Fax 1 (201) 599-1406

E-mail [mail@globescientific.com](mailto:mail@globescientific.com)

#### Globe Scientific Inc.

400 Corporate Drive • Mahwah NJ 07430

[www.globescientific.com](http://www.globescientific.com)

© Copyright 2016 Globe Scientific Inc. All rights reserved.